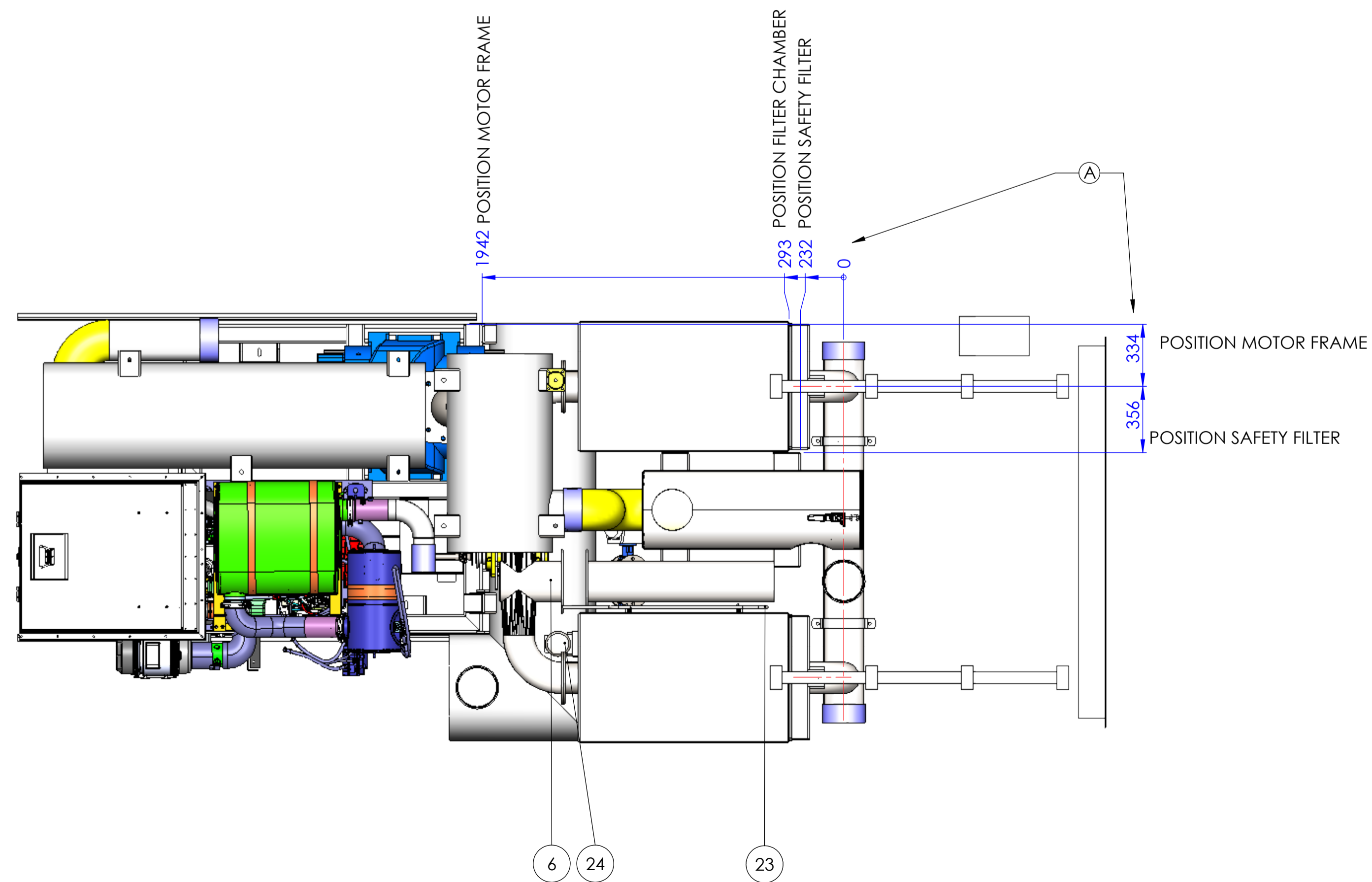
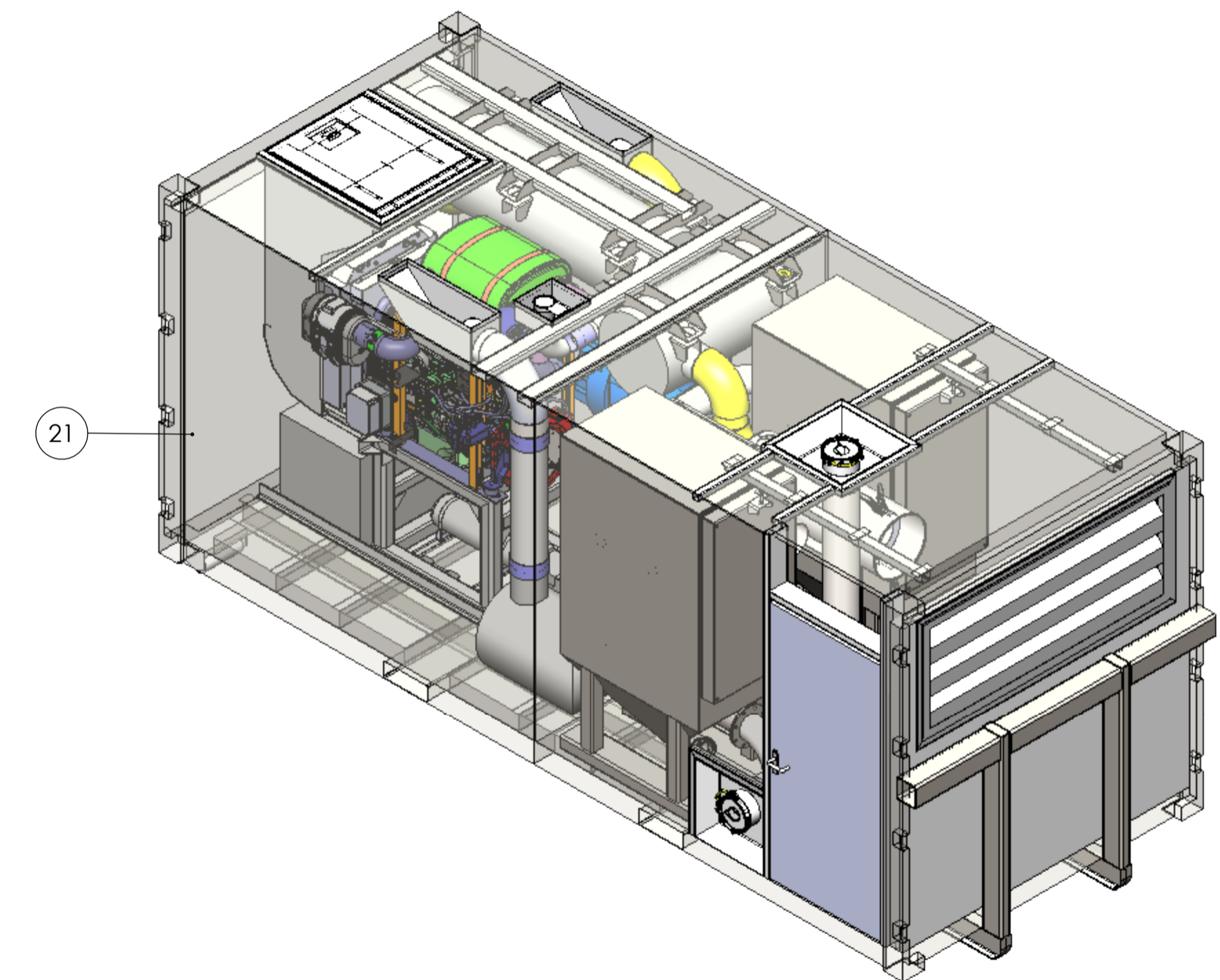


POS	QTY.	PartNo	DESCRIPTION	Art. Nr.	Workstep	Material	Thickness
1	1	Koop	AFHYMAT 20051230				
2	1	A_5761_	Default		tankbuilding	Assembly	
3	1	A_5759_	Default		tankbuilding	Assembly	
4	1	Koop	Besturingskast Main 600x380		trade		
5	1	A_5763_	Veiligheidsfilter compleet		tankbuilding	Assembly	
6	1	A_5766_	Filtermanifoldsamenstelling		tankbuilding	Assembly	
7	1	A_5765_	Zuigmanifoldsamenstelling		tankbuilding	Assembly	
8	9	vrđ	8 duim L=100		koopdelen	Silicon	
9	1	vrđ	4 duim		koopdelen	Silicon	
10	1	Koop	AKR 150 n=3		koopdelen		
11	1	Z_zaag_	Ø8inchx4.5 5		ruwbouw	1.0117 (S235J2)	
12	1	A_5769_	Frame compleet		Ruwbouw	Assembly	
13	1	A_5775_	zuigdemper samenstelling		tankbuilding	Assembly	
14	1	Koop	Konusdemper 131 001	1600039	vrđ		
15	1	A_5776_	koeldemper samenstelling		ruwbouw	Assembly	
16	2	Z_20170504_Zaag001	Hoekprofiel 40x80x8		ruwbouw	1.0117 (S235J2)	
17	2	P_14156_	Aanslagunp		ruwbouw	1.0117 (S235J2)	
18	2	A_5779_	Buisdrager		tankbuilding	Assembly	
19	2	Koop	Gegalvaniseerd railprofiel 130.000 66x55x2.50 L=1600		trade	1.4301 (RVS 304)	
20	1	A_5790_	Dakdoorvoer		ruwbouw	Assembly	
21	1	A_5786_	Container leverancier		amphitec	Assembly	
22	8	Koop	Plafondbeugel 5700-0130-131210Z		trade		
23	1	A_0010_	koelspiraal op beugels		ruwbouw	Assembly	
24	1	Koop	luchtbehandelingsunit		ruwbouw	S 235 JR	



REVISIONS				
ZONE	REV.	DESCRIPTION	DATE	APPROVED
EP	A	Dimensions added	17-11-2017	
MATERIAL: Assembly		General laser tolerance ±0.1		
WEIGHT: 33996687468364400000.0		Break sharp edges		
FINISH: MIN roughness fitting surfaces Ra1.6				
Part Number:		REVISION:		
A_5758_001		A		
TITLE: Vacutainer				
Last saved by: Juan on 17-11-2017				
Creation Date: 18-10-2017				
SCALE: 1:50	UNITS: MM	SHEET: 1 OF 1	FORMAT: A1	